



PRINTING SPECIFICATION			
Non contact printing technology		✓	
		Std DPI	Max DPI
SPEED (m/s)*	1 Line – 5 dot characters (fastest)	7.2	5.2
	2 Lines – 7 dot characters	2.0	1.5
	2 Lines - 9 dot characters (Highest Quality Text)	1.3	1.0
	1 Line - 24 dot characters (Best for 2D Coding)	0.7	0.5
SIZE	Max Lines of Print	5	
	Print Height (dots)	upto 32 dots	
	Print Height (mm)	upto 20mm	
	Printed dot size [^]	0.31mm (60µm) 0.40mm (75µm)	
CODE FORMATS	Text	full unicode support	
	Graphics	Imported *.bmp Built in logo editor	
	1-D Barcode	EAN 8, I3, UPC A, E Code 39, 93, I28, 2 of 5, ITF-14, GSI-128	
	2-D Barcodes	Datamatrix, QR Code, Dot Code, Han Xin, Postnet	

OWNERSHIP SPECIFICATION		
OPERATING	User interface	7" colour touchscreen (option) 10.4" colour touchscreen (option)
	Software	QuickStep 3
	Operator friendly	✓
CONSUMABLES	Single button start and stop	✓
	Automatic cartridge recognition	✓
	Intelligent Level Monitoring	✓
	Cartridge runtime**	444 hours
SERVICING	Cartridge replacement	20 second operator task No line stop required
	Service model	Service free ITM system
	ITM replacement frequency [†]	12 months
ENVIRONMENT	ITM replacement	Sub 10 minute operator task Line stop required
	Operating temperature [†]	5-45°C
	Humidity	0-90% RH
	Ingress protection (cabinet)	IP66 electronics enclosure (IP55 cabinet)
Harsh environment options	IP65 printhead cover (for washdown) Positive air to head (for high dust) Dry air to head (for high humidity)	

Understanding CIJ DPI

0123456789

Standard DPI (7 Dot)
Equivalent to 10 Chars/inch

0123456789

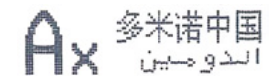
Maximum DPI (9 Dot)

Standard DPI		Maximum DPI
01234567	5 Dot (Fastest)	0123456789
01234567	7 Dot	0123456789
012345	9 Dot (Best Quality)	01234567
012	Large Characters (Up to 32 Dot)	0123

Logos and 2D Codes



Multi Language and Mixed Fonts



* Speed quoted with Professional printing pack

** Runtime based on Make-up Cartridge replacement frequency for Domino Advanced IBK111 Ink at 21C with Green Pack Option.

[^] Dot size may vary depending on substrate type

[†] Subject to ink choice

Ax350i

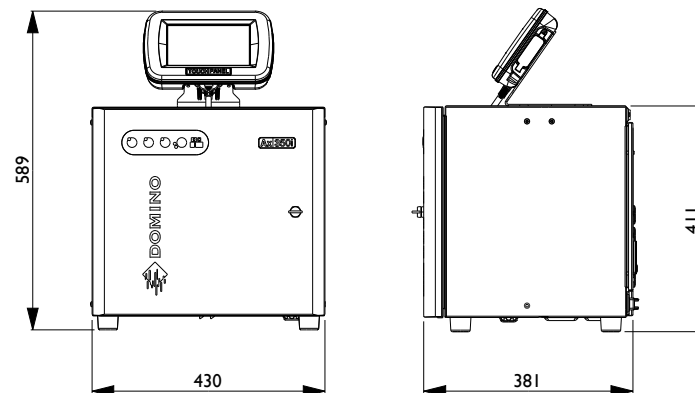
Technical Specification



TECHNICAL SPECIFICATION

SYSTEM SPECIFICATION			
PRINTHEAD	Type	i-Pulse	
	Nozzle sealing technology	✓	
	Nozzle size	60µm	75µm
	Maximum resolution (dpi)	82	64
	Format	Straight	Straight
	Conduit length	3m – Std 6m – Option	3m – Std 6m – Option
	Conduit bend radius (minimum)	65mm	
CABINET	Material	304 stainless steel	
	Size (WxHxD)	430 x 411 x 381 (mm) 16.9 x 16.2 x 15.0 (inch)	
	Weight (dry)	22kg	
	Power requirement	100-240v:4A 50-60Hz	
	Power consumption	40 Watt (idle) 80 Watt (printing)	
	Product detect input port (x1)	✓	
	Shaft encoder input port (x1)	✓	
	USB ports on UI (x2)	✓	
	RFID	13.56 MHz 1.3uW ERP	
INK	Ink cartridge volume	825ml 555ml (heavy duty ink system)	
	Make-up cartridge volume	1200ml	
CONNECTIVITY	Domino protocols	Intercomm 5, Codenet, Intercomm 0	
	PC software suite	QuickDesign V5 & V6 compatible	
	Webserver	✓	
	Domino Cloud compatible*	✓	

CABINET DIMENSIONS

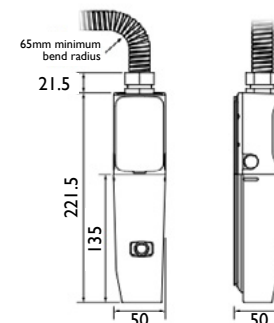


OPTIONS			
HARDWARE PACK	Status pack option	4 stage beacon output (x1) 3 stage alarm output (x1)	
	Comms pack option	Cabinet USB port (x1) Ethernet RJ45 port (x1)	
	Extended comms pack option		Cabinet USB port (x1) Control port (x1) TouchPanel 2/ethernet port (x1)
		RS232 pack option	RS232 port (x1)
		GPIO pack option	I/O – 4 inputs/4 outputs (x1)
	Extended I/O pack option	I/O - 12 inputs / 4 outputs (x1)	
PERFORMANCE PACK	Professional printing pack	High speed rasters (ST&HS types) Segmented message formats Highest speed DDI Script engine	
	Operator assistance pack	Label templates Barcode scanning for labels and data entry Local security manager	
	Green Pack	20% reduction in make-up emissions. Configurable Printhead and ink-system stand down for reduced power usage	

COMPLIANCE

Domino printers are compliant and sold in more than 100 countries globally.
Certifications : CE, NRTL, CB and FCC 47CFR Part 15B.

PRINTHEAD DIMENSIONS



www.ax-series.com

* Requires Comms Pack

The Domino word mark and device are registered trademarks of Domino Printing Sciences plc

Ax350i_Eng_spec_060417